

1



2



3



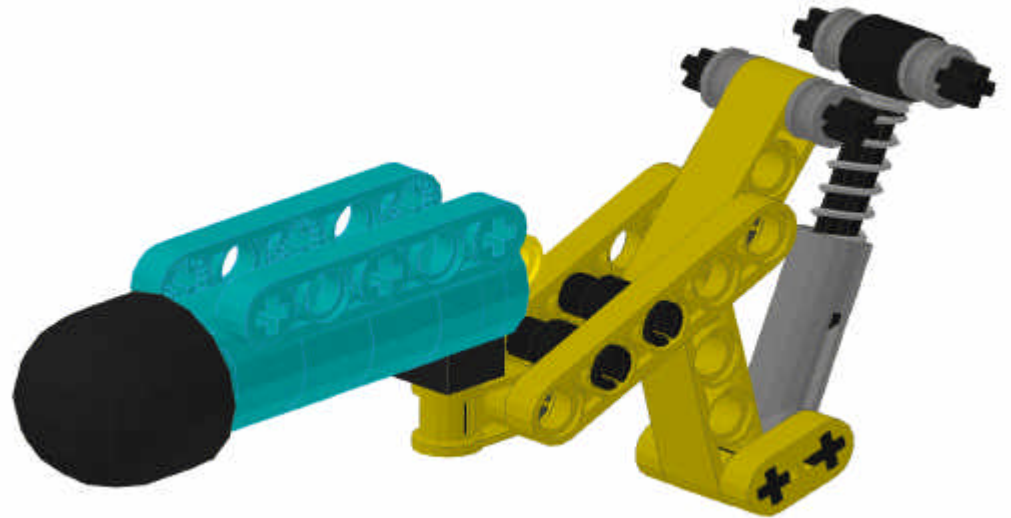
4



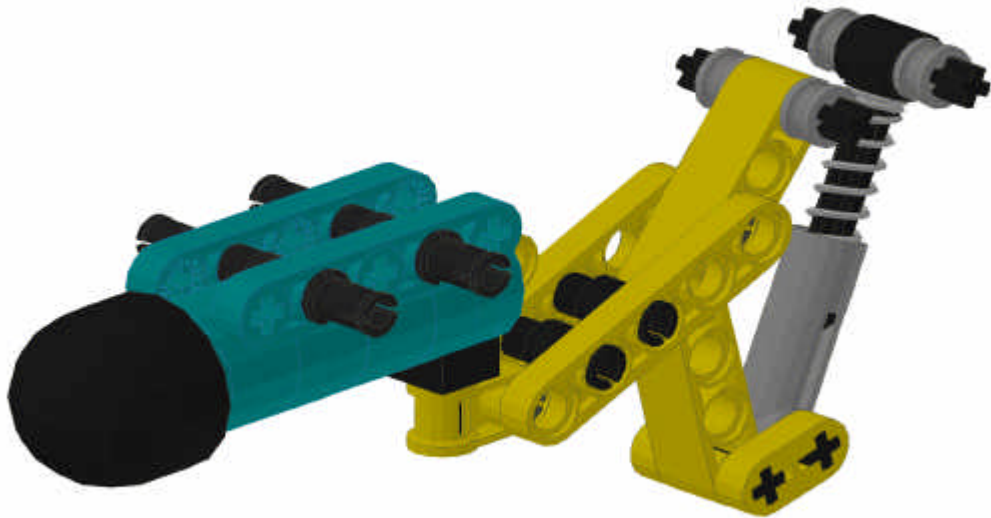
5



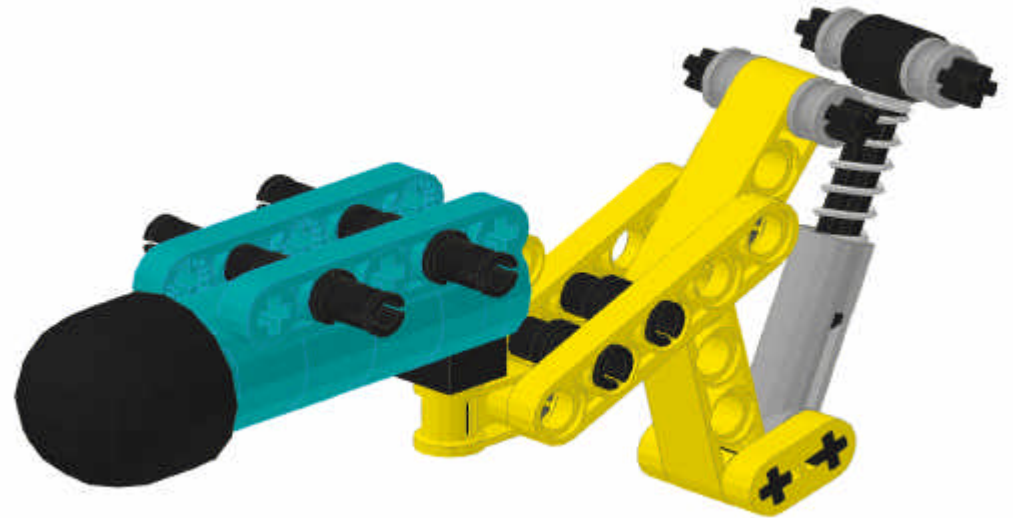
6



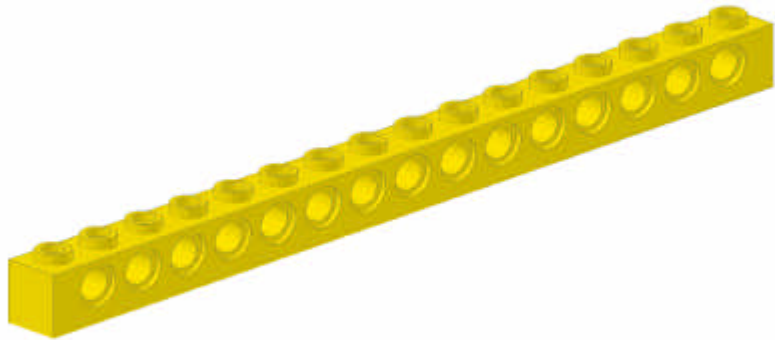
7



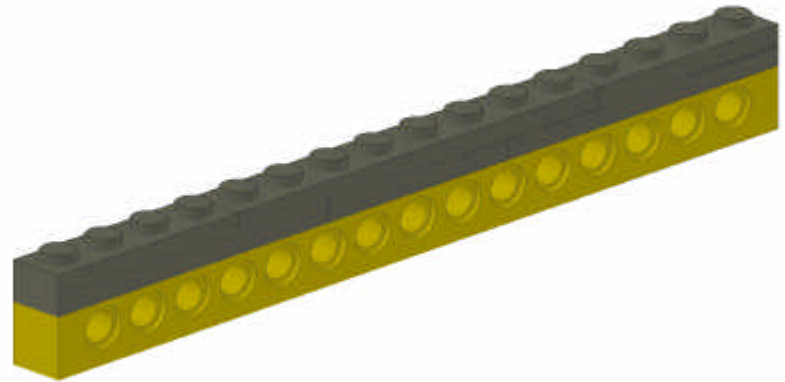
8



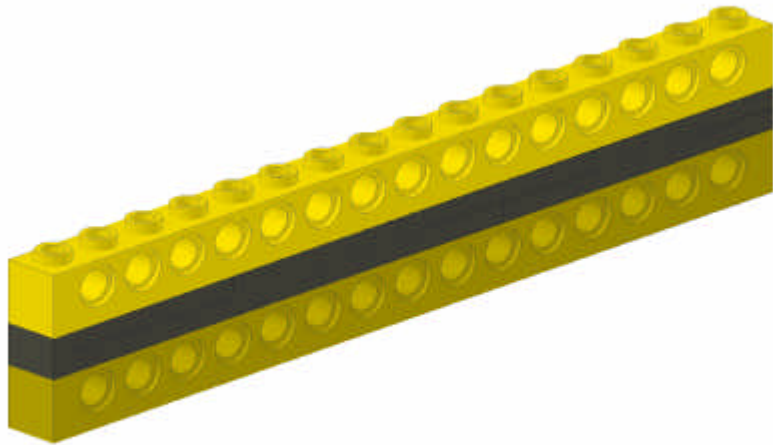
9



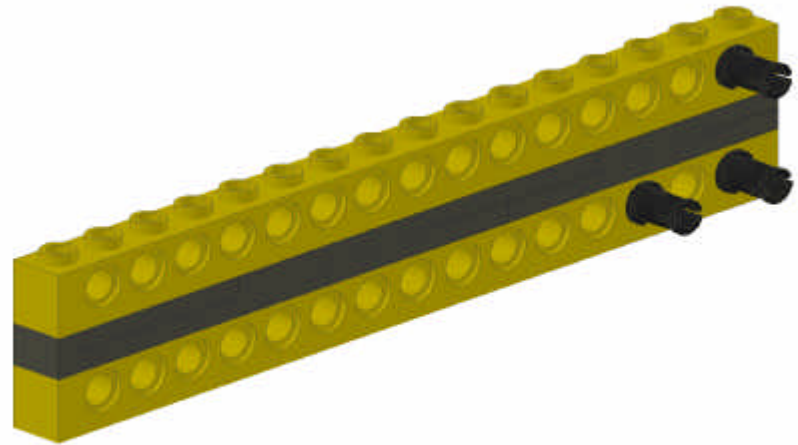
10



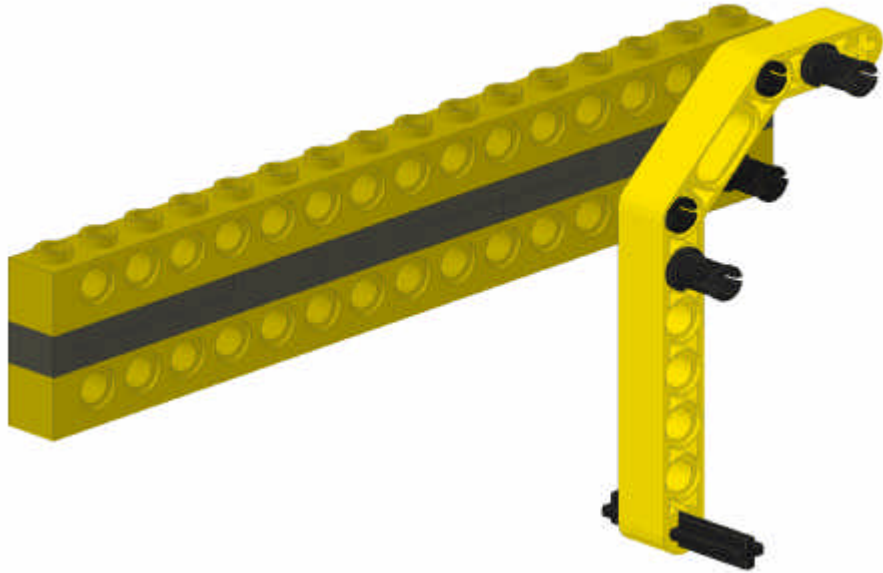
11



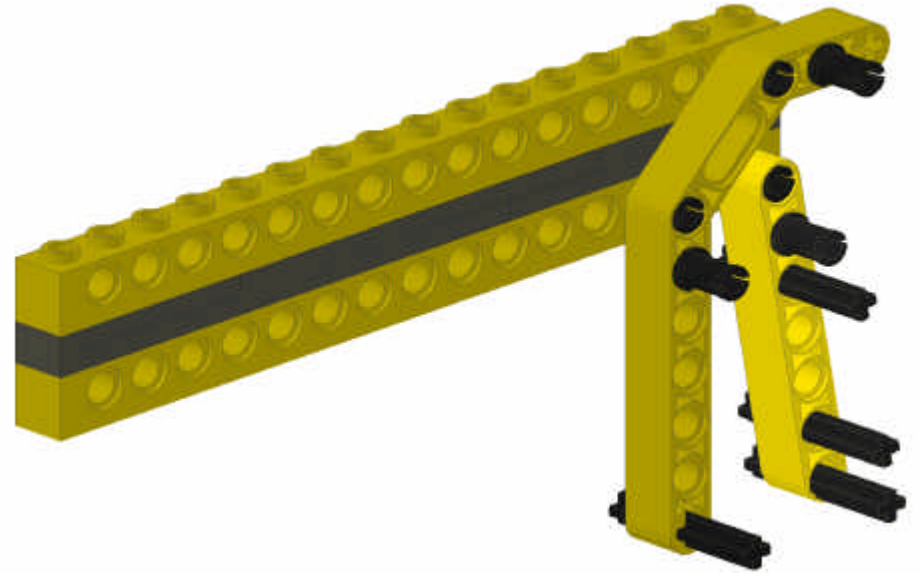
12



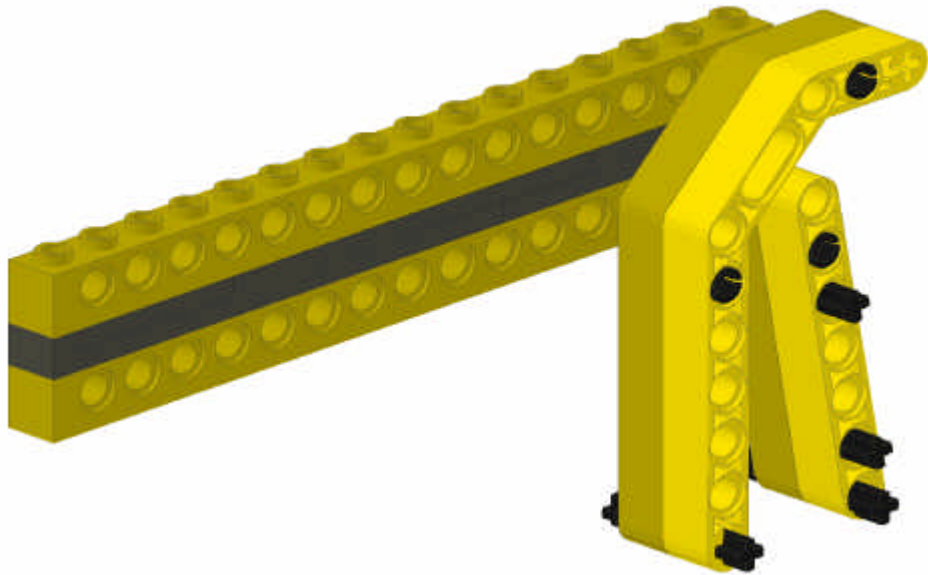
13



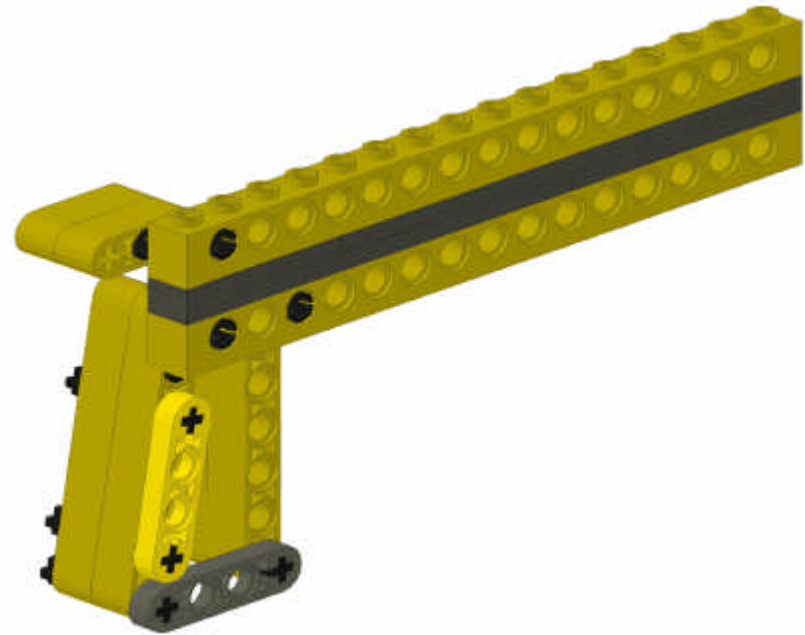
14



15

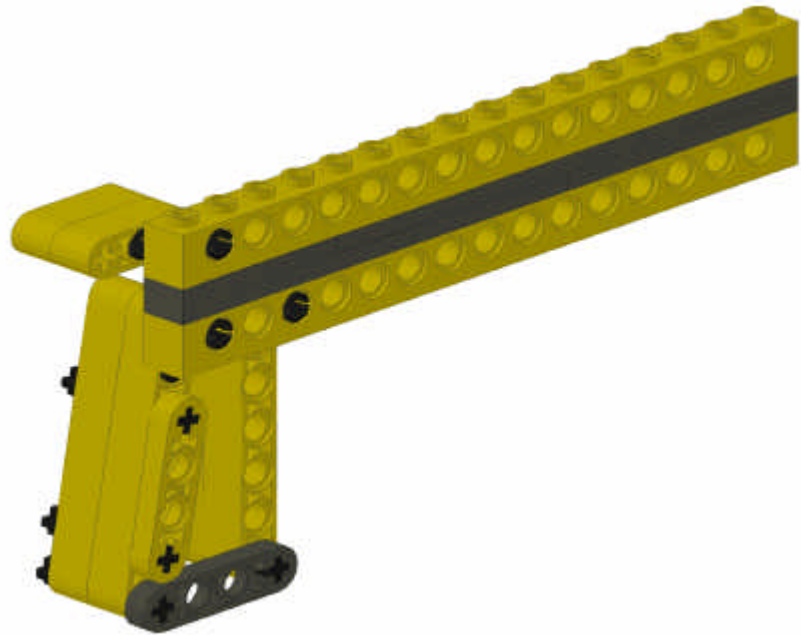


16

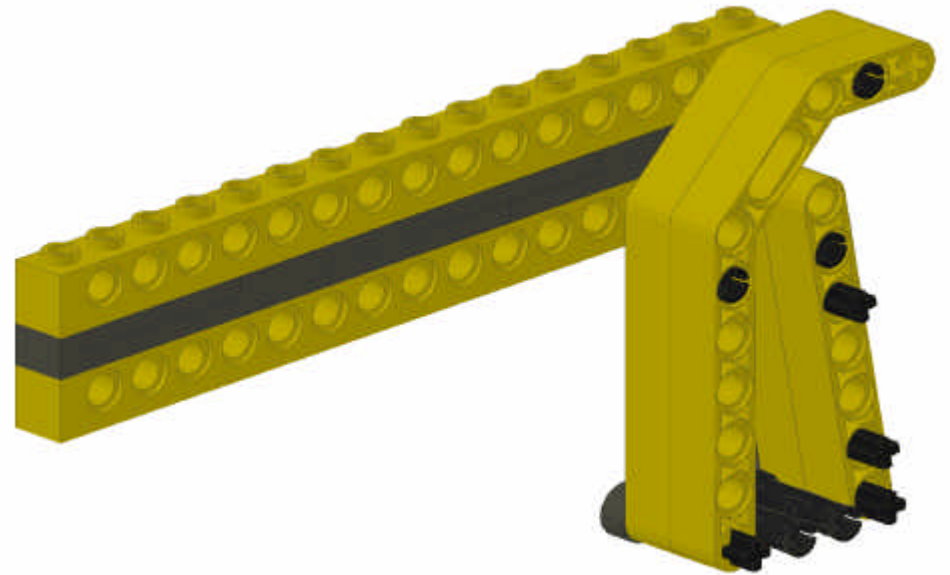




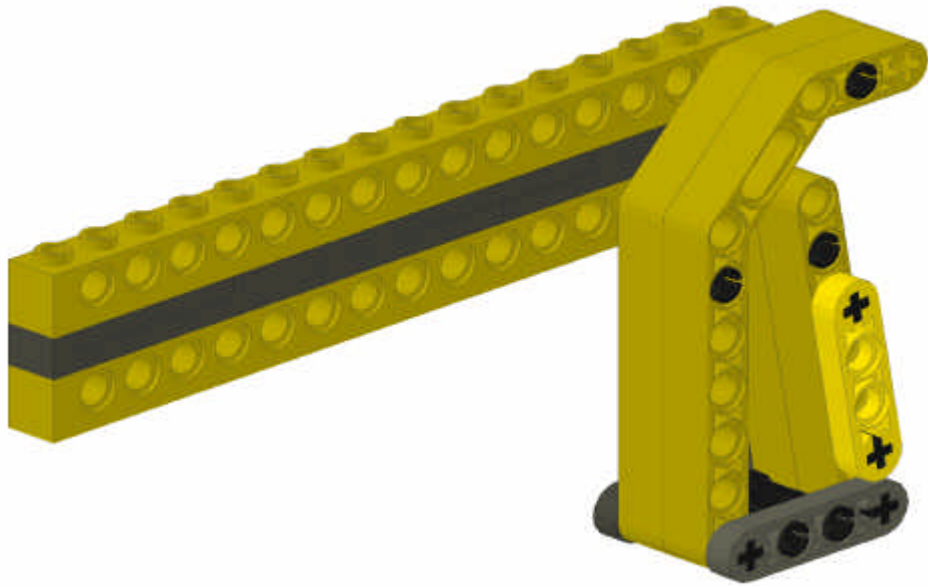
17



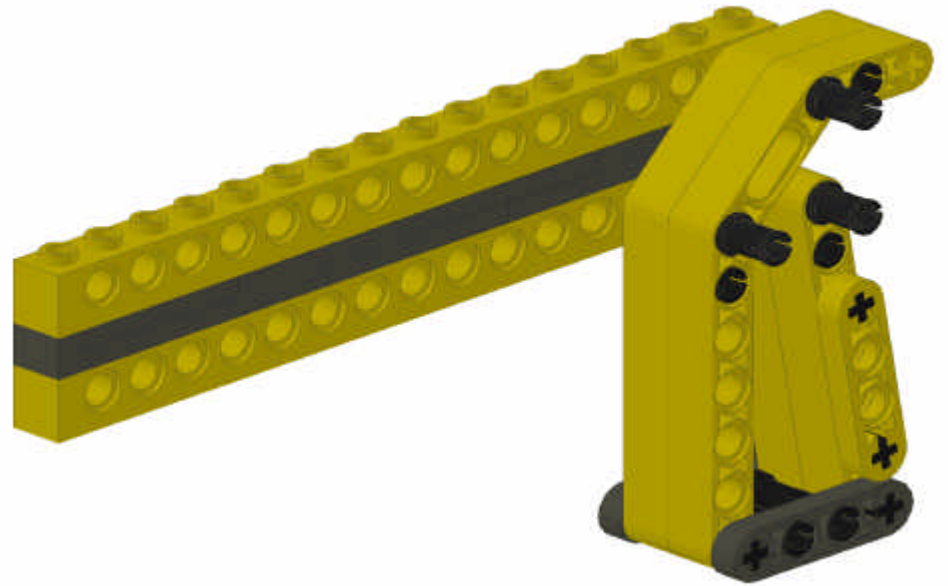
18



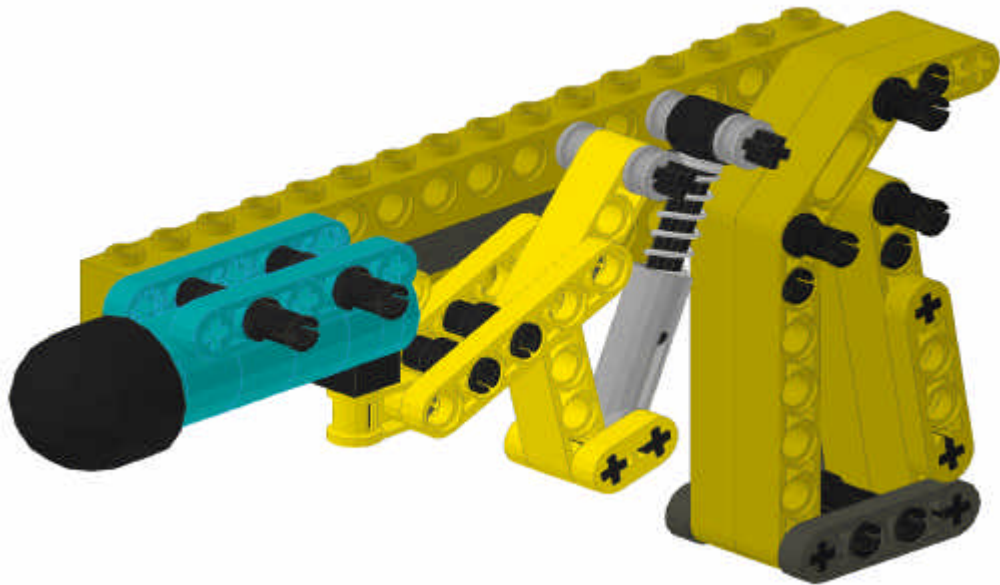
19



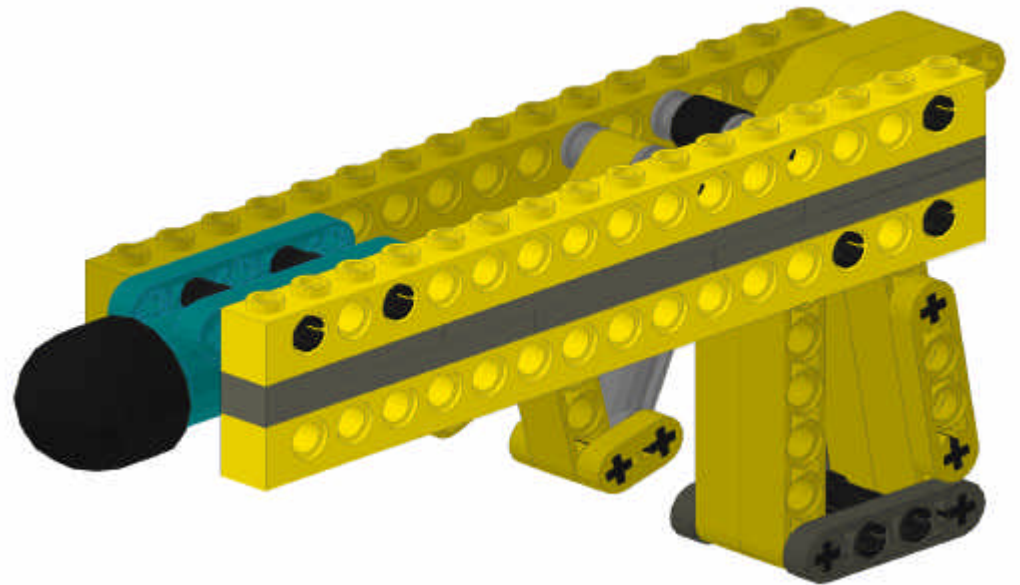
20



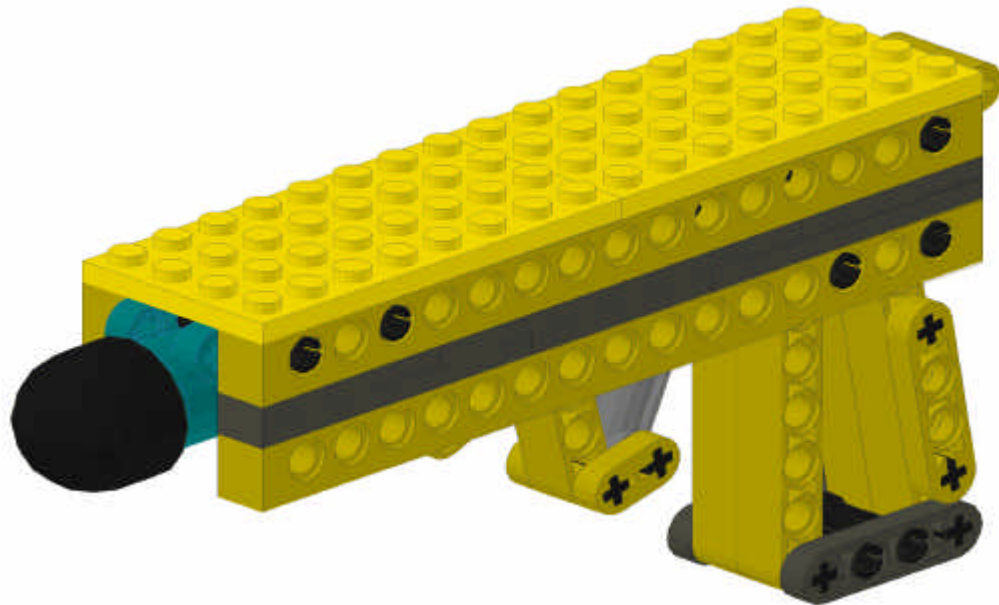
21



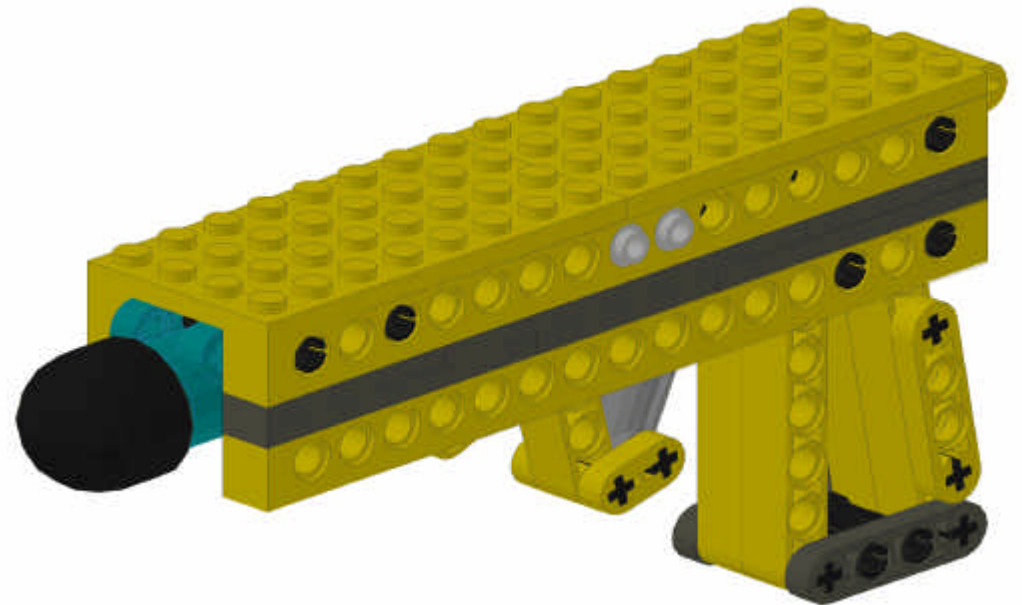
22



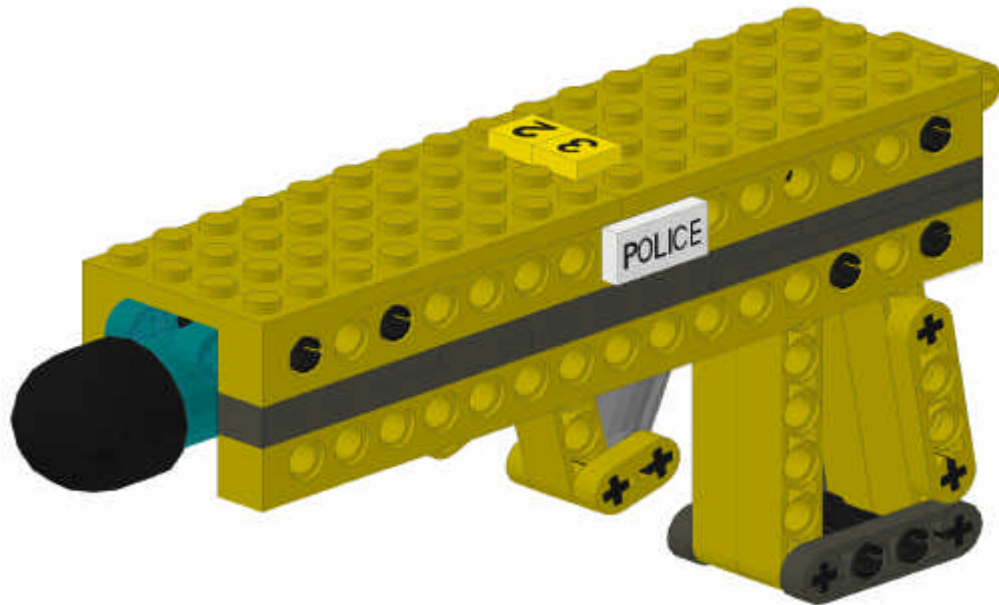
23



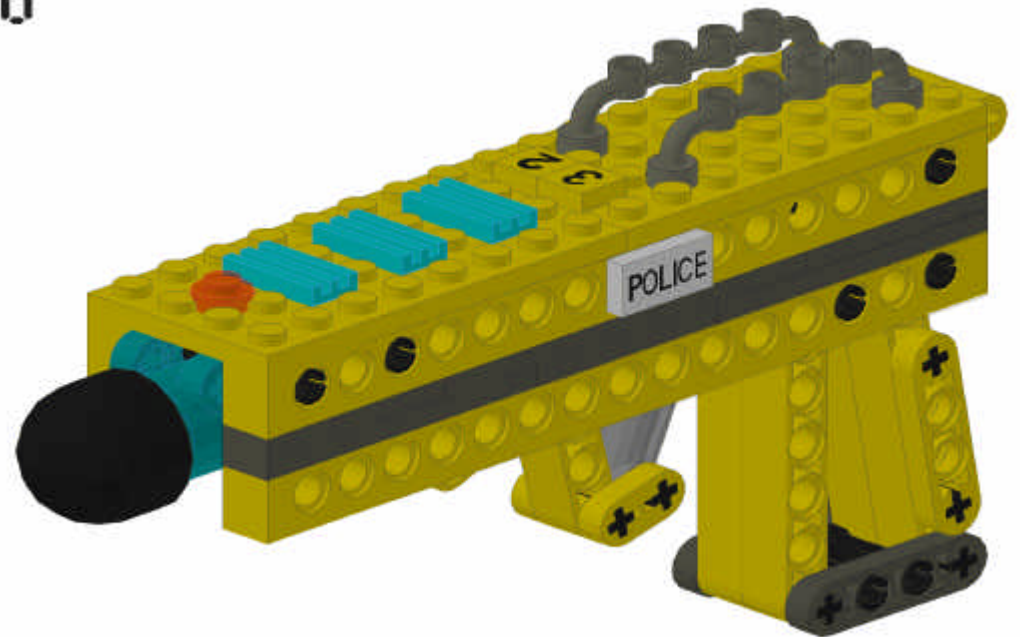
24



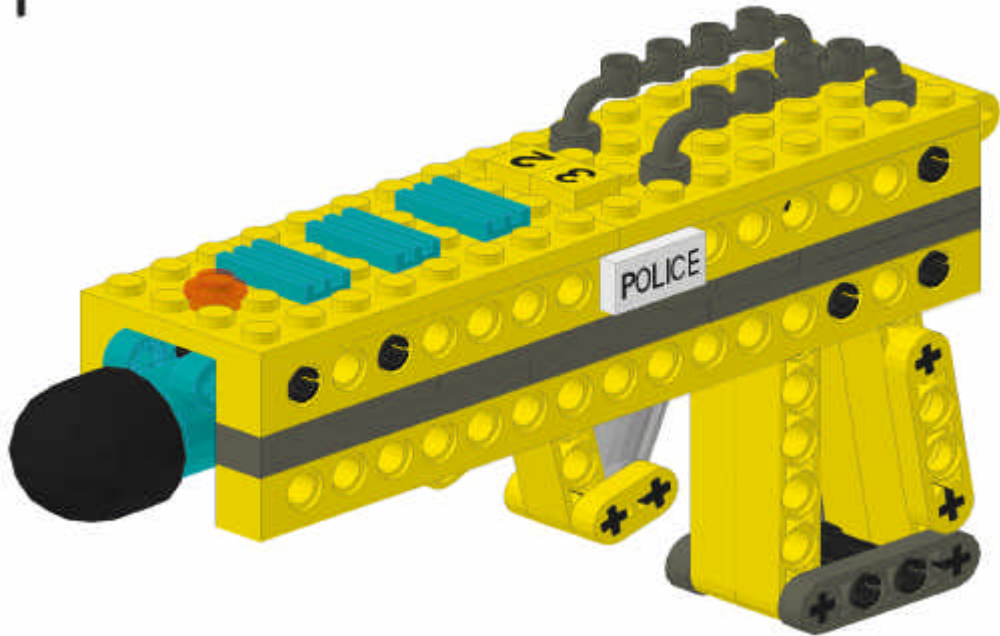
25



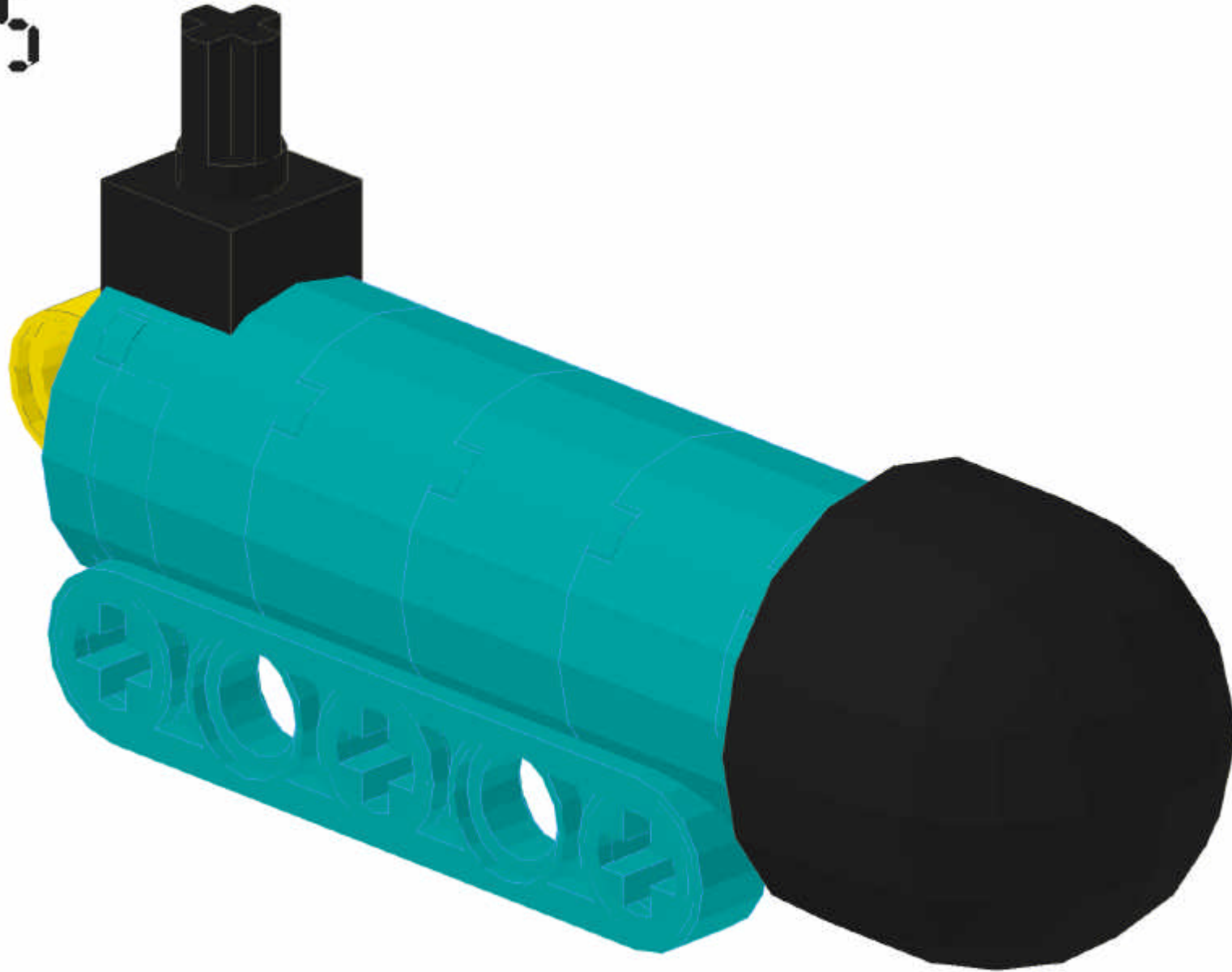
26



27



15



Stp	No.	Color	Part no.	Part name
1	1	Yellow	32017.DAT	Technic Liftarm 1 x 5
1	2	Dark-Gray	32002.DAT	Technic Pin 3/4
1	2	Black	2780.DAT	Technic Pin with Friction and Slots
2	1	Yellow	6536.DAT	Technic Axle Joiner Perpendicular
2	1	Yellow	32348.DAT	Technic Liftarm 1 x 7 Bent
3	1	Black	32062.DAT	Technic Axle 2 Notched
3	1	Black	4519.DAT	Technic Axle 3
3	1	Yellow	32017.DAT	Technic Liftarm 1 x 5
4	1	Black	32062.DAT	Technic Axle 2 Notched
4	2	Light-Gray	32123.dat	Technic Bush 1/2 Smooth
4	1	Yellow	169.DAT	Technic Liftarm 1 x 2
5	1	Black	4519.DAT	Technic Axle 3
5	2	Light-Gray	32123.dat	Technic Bush 1/2 Smooth
5	1	Yellow	169.DAT	Technic Liftarm 1 x 2
5	1	Light-Gray	731c01.dat	Technic Shock Absorber 6.5L (Complete)
6	1	Black	CanonAssmbl.dat	Surrogaat voor part 32074.dat plus arrow
7	4	Black	2780.DAT	Technic Pin with Friction and Slots



Stp	No.	Color	Part no.	Part name
1	1	Yellow	3703.DAT	Technic Brick 1 x 16 with Holes
2	3	Dark-Gray	3710.DAT	Plate 1 x 4
2	2	Dark-Gray	3666.DAT	Plate 1 x 6
2	1	Dark-Gray	3460.DAT	Plate 1 x 8
3	1	Yellow	3703.DAT	Technic Brick 1 x 16 with Holes
4	3	Black	2780.DAT	Technic Pin with Friction and Slots
5	1	Black	4519.DAT	Technic Axle 3
5	1	Yellow	32009.DAT	Technic Liftarm 1 x 11.5 Double Bent
5	2	Black	2780.DAT	Technic Pin with Friction and Slots
6	3	Black	4519.DAT	Technic Axle 3
6	1	Yellow	x55.dat	Technic Liftarm 1 x 7 Straight
6	1	Black	2780.DAT	Technic Pin with Friction and Slots
7	1	Yellow	32009.DAT	Technic Liftarm 1 x 11.5 Double Bent
7	1	Yellow	x55.dat	Technic Liftarm 1 x 7 Straight
8	1	Dark-Gray	x137.dat	Technic Liftarm 1 x 4 x 0.5
8	1	Yellow	x137.dat	Technic Liftarm 1 x 4 x 0.5
10	2	Black	6558a.dat	Technic Pin Long with Friction
11	1	Dark-Gray	x137.dat	Technic Liftarm 1 x 4 x 0.5
11	1	Yellow	x137.dat	Technic Liftarm 1 x 4 x 0.5
12	3	Black	2780.DAT	Technic Pin with Friction and Slots
13	1	Yellow	Trekker.dat	Trekkermechanisme
14	3	Dark-Gray	3710.DAT	Plate 1 x 4
14	2	Dark-Gray	3666.DAT	Plate 1 x 6
14	1	Dark-Gray	3460.DAT	Plate 1 x 8
14	2	Yellow	3703.DAT	Technic Brick 1 x 16 with Holes
15	2	Yellow	3035.DAT	Plate 4 x 8
16	4	Light-Gray	4274.DAT	Technic Pin 1/2
17	1	Yellow	3070BP02.DAT	Tile 1 x 1 with "2" Pattern
17	1	Yellow	3070BP03.DAT	Tile 1 x 1 with Black "3" Pattern
17	2	White	3069BP18.DAT	Tile 1 x 2 with Thin Black "POLICE" Pattern
18	2	Dark-Gray	4873.DAT	Bar 1 x 6 with Studs Open
18	1	Trans-Red	6141.DAT	Plate 1 x 1 Round
18	3	Dark-Cyan	30244.dat	Tile 1 x 2 Grille with Groove

Model: Surrogaat voor part 32074.dat plus arrow (CanonAssmbl.dat)

---

Stp	No.	Color	Part no.	Part name
1	1	Black	3005.DAT	Brick 1 x 1
1	4	Dark-Cyan	3941.DAT	Brick 2 x 2 Round
1	1	Dark-Cyan	4032.DAT	Plate 2 x 2 Round
1	1	Black	3704.DAT	Technic Axle 2
1	6	Dark-Cyan	4265A.DAT	Technic Bush 1/2 Type 1
1	1	Yellow	32133C01.DAT	Technic Competition Arrow (Complete)
1	2	Dark-Cyan	32017.DAT	Technic Liftarm 1 x 5
1	2	Dark-Cyan	4150.DAT	Tile 2 x 2 Round